

J2018 Double Balanced Mixer

2.0 to 18.0 GHz

Technical Characteristics



Product Features
Multi-octave bandwidth
Broad frequency - input and output
Wide DC to IF frequency response
Low conversion loss
High port-to-port isolation

Maximum Ratings	
Storage Temperature	-65 to +150°C
Operating Temperature Peak	-54 to +125°C
Peak Input Power For Any Single Port	+26dBm Peak
Peak Input Power For Any Port	+27dBm peak
Peak Input Current @ +25° C	100mA

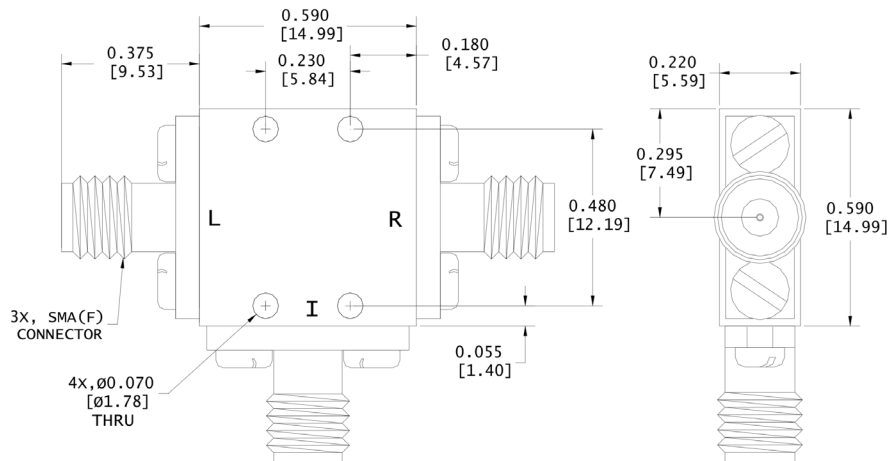
Parameters	Freq. (GHz)	Minimum	Typical	Maximum	Units	Conditions
Conversion Loss						
RF Input	2.0 to 18.0		6.0	8.0	dB	IF = 100 MHz
LO Input	2.0 to 18.0		7.5	9.0	dB	IF = 1000 MHz
IF Output	DC to 0.7					
Conversion Flatness						
Isolation						
LO-RF	2.0 to 18.0	20.0	28.0		dB	
LO-IF	2.0 to 18.0	18.0	25.0		dB	
RF-IF			20.0		dB	
VSWR						
1dB Comp.Point J2018L J2018M						
			1.0 4.0		dBm dBm	
LO Drive J2018L J2018M						
			7.0 10.0		dBm dBm	
Input TOIP J2018L J2018M						
			10.0 14.0		dBm dBm	

NOTES:

1. Measured in a 50 ohm system with nominal LO drive and downconverter application only, unless otherwise specified. The I-port frequency range extends to DC for phase detection, pulse modulation, or attenuator applications. I-port VSWR degrades from a 50 Ω system at LO-IF frequencies.

2. Typical values are measured at +25°C and are not guaranteed.

Package outline Z



1

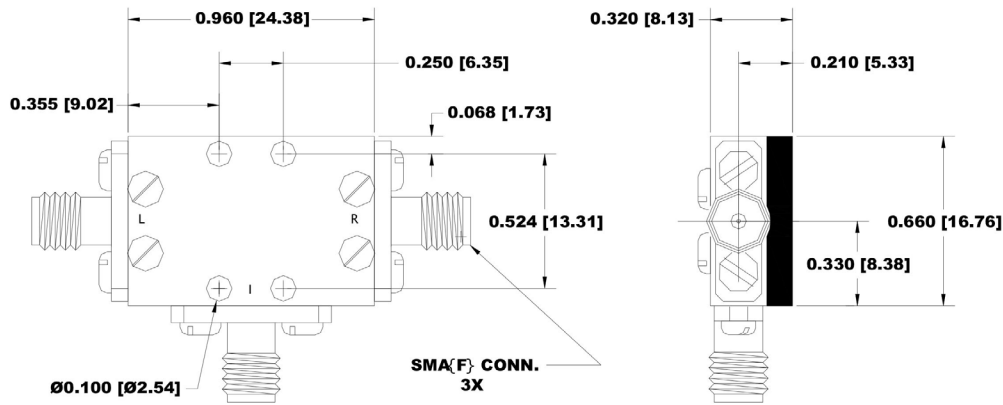
DISCLAIMER: Subject to change without notice.

J2018 Double Balanced Mixer

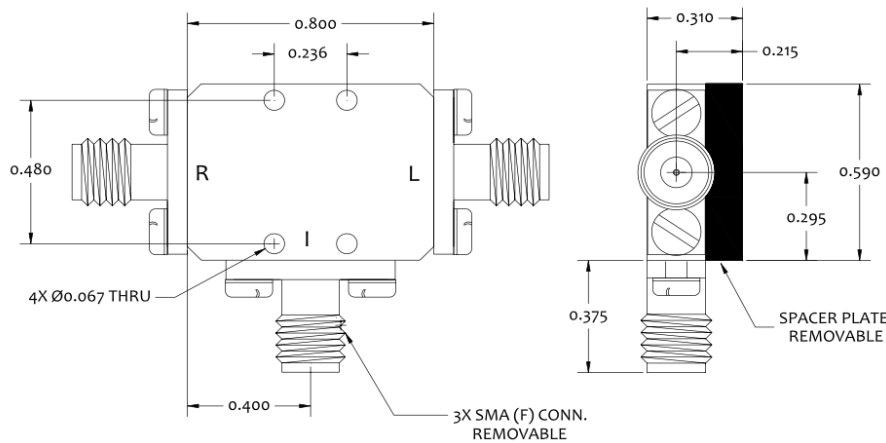
2.0 to 18.0 GHz

Outline Drawings 1 of 2

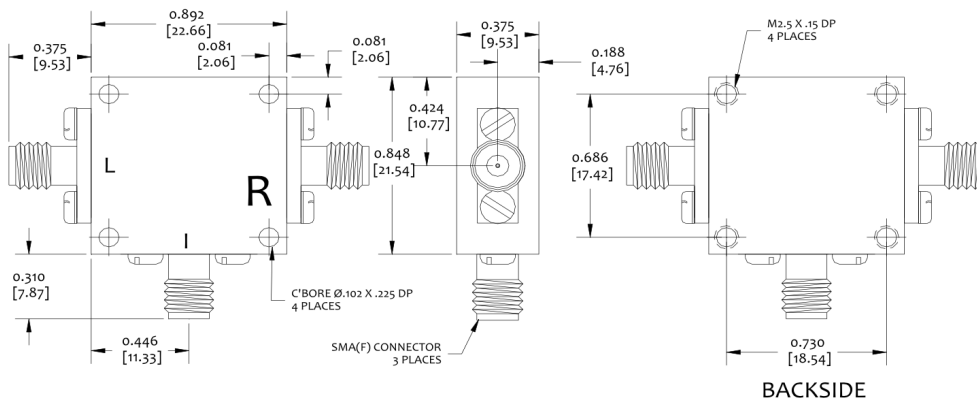
Coaxial Package outline 'B'



Coaxial Package outline 'L'



Coaxial Package outline 'C'

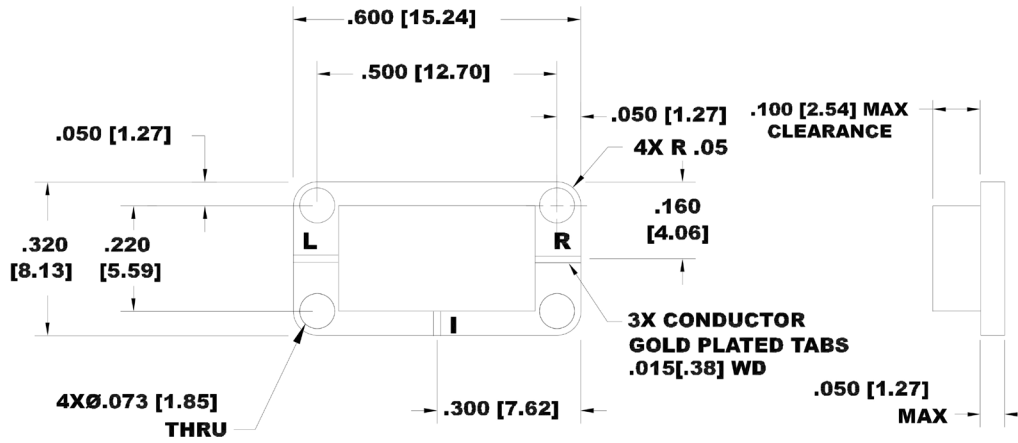


J2018 Double Balanced Mixer

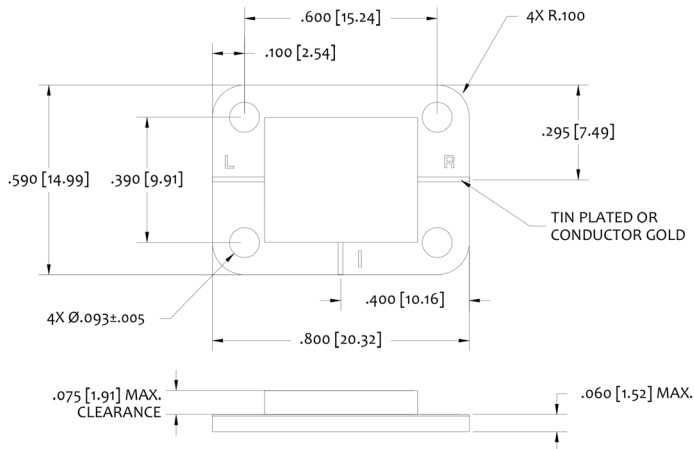
2.0 to 18.0 GHz

Outline Drawings 2 of 2

Drop in Package outline 'E1'



Drop in Package outline 'F1'



Drop in Package outline 'ZX'

