

MBD3047-H20 Planar Tunnel Diode

Technical Characteristics

Product Features

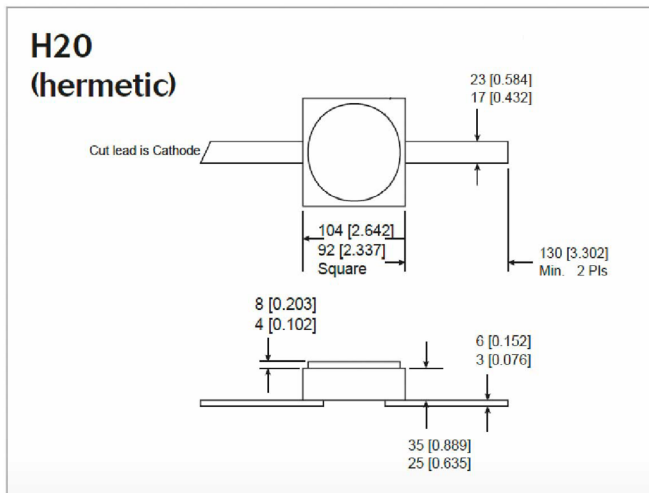
- Rugged Germanium Planar Construction
- Excellent Temperature Stability
- No DC Bias Required
- Wide Video Bandwidth

Product Description

EclipseMDI MBD3047-H20, is a zero-bias, rugged Planar Tunnel Diode constructed with Germanium Planar. This tunnel diode exhibits excellent temperature stability, wide video bandwidth. The MBD3047 is also available in a non-hermetic (H20X) ceramic packages.

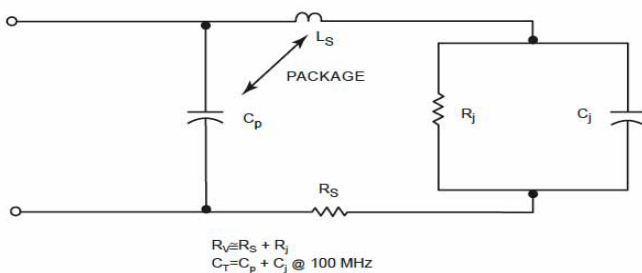
Maximum Ratings

- Storage Temperature.....-65° to +125°C
- Operating Temperature.....-65° to +110°C
- Input Power Handling.....+17dBm CW or 3 ERG spike
- Soldering Temperature.....+160° C

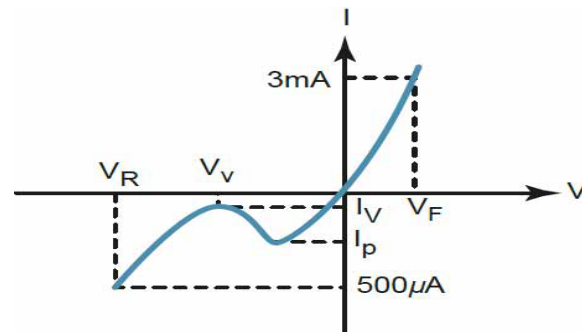


Parameters	Specifications				UNITS
	Conditions	MIN	Typical	MAX	
I _p		300		350	μA
C _j	V _r =V _v , f=100MHz			.30	pF
K[Y]	P _{in} =-20dBm R _{Load} =10K, f=10GHz		550		mV/mW
R _v			110		Ω Ohms
I _p /I _v		2.5			
V _r	I _f =500μA		400		mV
V _f	I _f =3mA			125	mV

Diode equivalent circuit



Back diode parameters



About EclipseMDI

ECLIPSE Microdevices is located in San Jose, California. ECLIPSE has been developing high performance analog semiconductors for use in wireless radio frequency (RF), microwave, and millimeter wave for commercial and industrial applications. ECLIPSE has formed a strategic alliances - with foundries that features leading state-of-the-art process technologies and with manufacturing facilities for high-volume production of innovative RFIC's.

Product Export Classification

ECCN: EAR 99 (unless otherwise specified)
 HTS: 8542330000