

EQN0711-04 Negative Slope Equalizer

7.0 to 11.0 GHz



Technical Characteristics

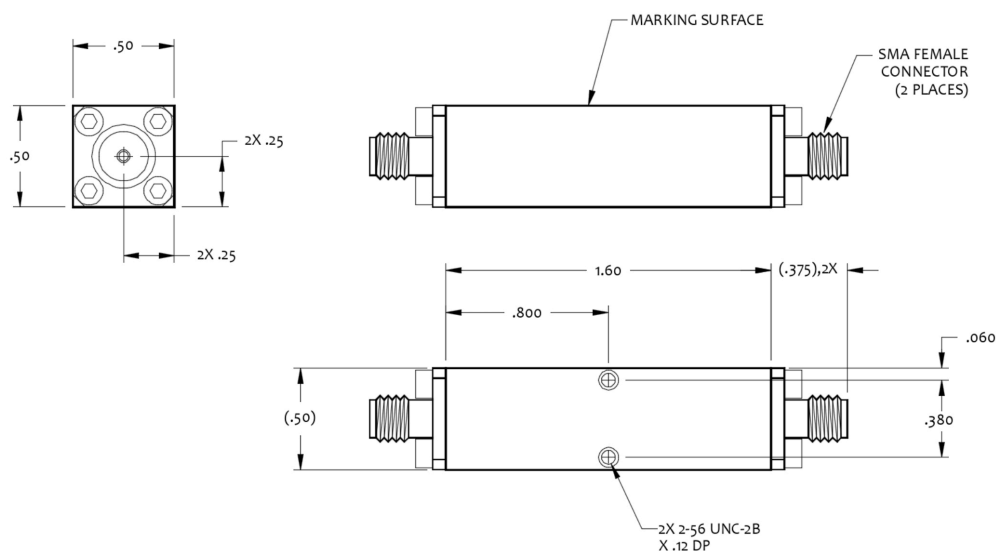
Product Features
Fixed or adjustable attenuation tuning
Low insertion loss
SMA connector standard
Impedance 50 or 75 ohms
Compact size
Meets MIL-E-5400 and MIL-E-16400 environmental requirements

Maximum Ratings	
Max. Input Power	150mW
Operating Temperature	-55 to +95°C
Storage Temperature	-65 to +125°C
Specifications @	25°C

Maximum Ratings	
ECCN: EAR 99 (Unless otherwise specified)	
HTS: 8543.7080.00	

Parameters	Freq. (GHz)	Minimum	Typical	Maximum	Units	Conditions
Attenuation	7.0 to 11.0		4.0		dB	
Insertion Loss	11.0		0.8		dB	
VSWR	7.0 to 11.0		1.5:1			
Linearity	7.0 to 11.0		+/-0.5		dB	
Max. Input Power	7.0 to 11.0			150	mW	

Package Outline: Q



DISCLAIMER: Subject to change without notice.
Rev(B) 09/12/19

Quality products that serve the industry. Today and tomorrow.

Copyright© EclipseMDI

www.eclipseMDI.com

1.408.526.1100

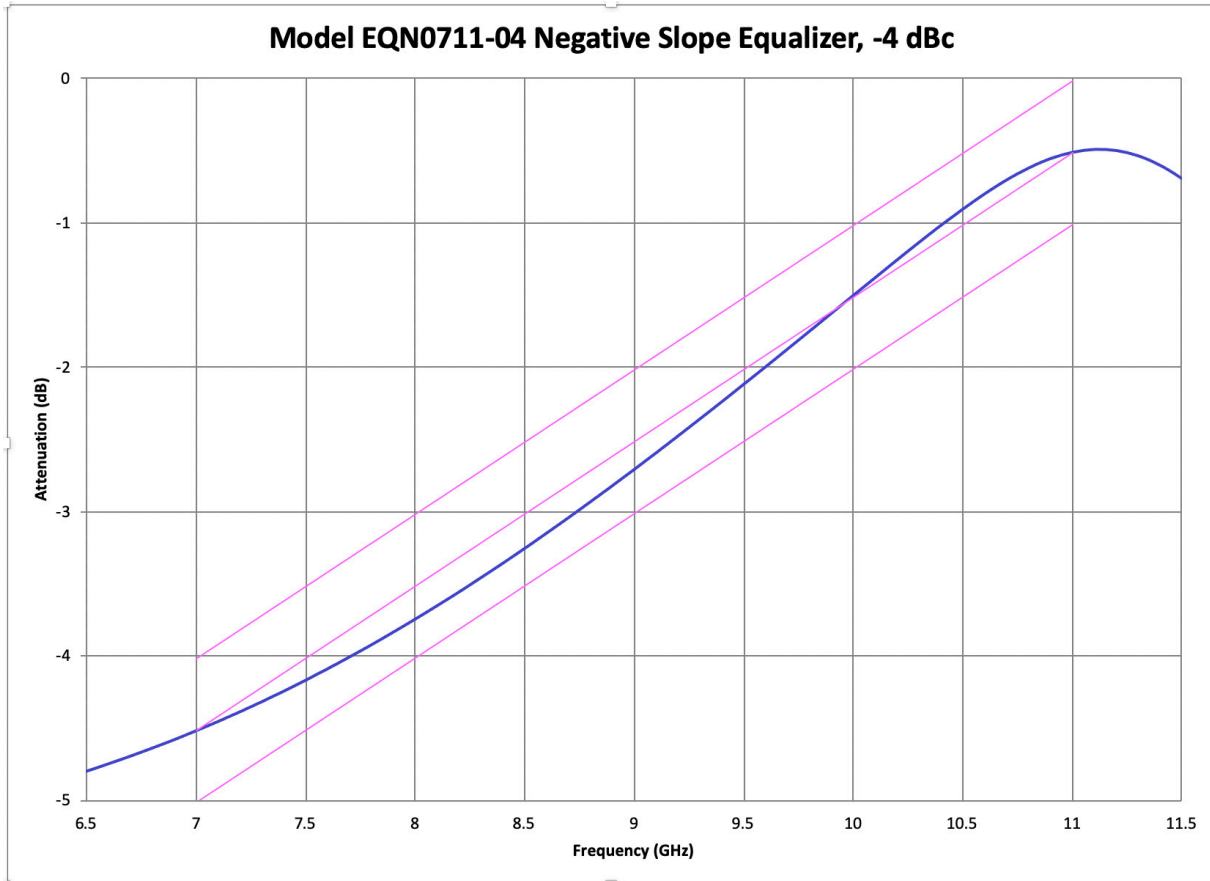
EclipseMDI

EQN0711-04 Negative Slope Equalizer

7.0 to 11.0 GHz



Test Data



DISCLAIMER: Subject to change without notice.
Rev(B) 09/12/19