

EQN1826-04 Negative Slope Equalizer

18.0 to 26.5 GHz



Technical Characteristics

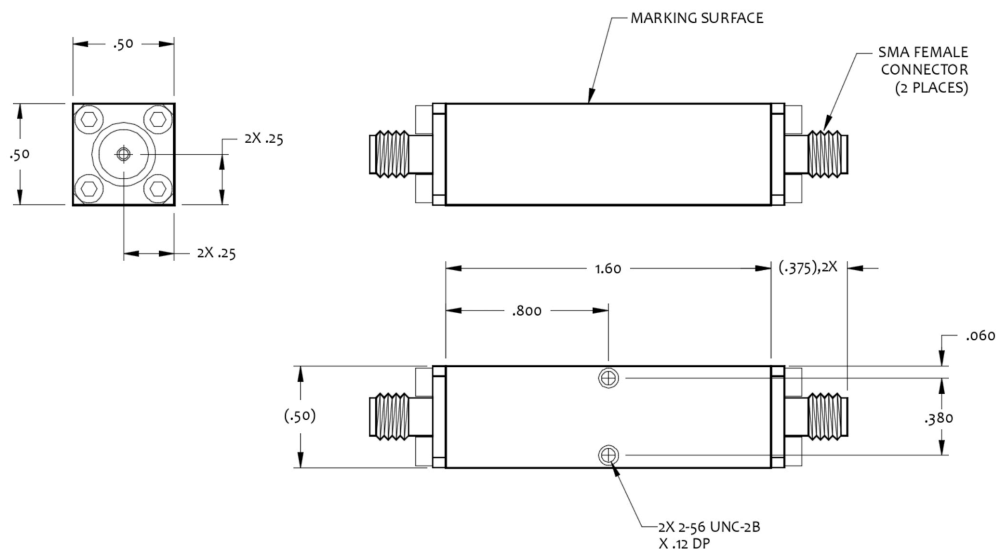
| Product Features |
|---|
| Fixed or adjustable attenuation tuning |
| Low insertion loss |
| SMA connector standard |
| Impedance 50 or 75 ohms |
| Compact size |
| Meets MIL-E-5400 and MIL-E-16400 environmental requirements |

| Maximum Ratings | |
|-----------------------|---------------|
| Max. Input Power | 250mW |
| Operating Temperature | -55 to +95°C |
| Storage Temperature | -65 to +125°C |
| Specifications @ | 25°C |

| Maximum Ratings |
|---|
| ECCN: EAR 99 (Unless otherwise specified) |
| HTS: 8543.7080.00 |

| Parameters | Freq. (GHz) | Minimum | Typical | Maximum | Units | Conditions |
|------------------|--------------|---------|---------|---------|-------|------------|
| Attenuation | 18.0 to 26.5 | | 4.0 | | dB | |
| Insertion Loss | 26.5 | | 1.0 | | dB | |
| VSWR | 18.0 to 26.5 | | 2.0:1 | | | |
| Linearity | 18.0 to 26.5 | | +/-0.5 | | dB | |
| Max. Input Power | 18.0 to 26.5 | | | 250 | mW | |

Package Outline: Q



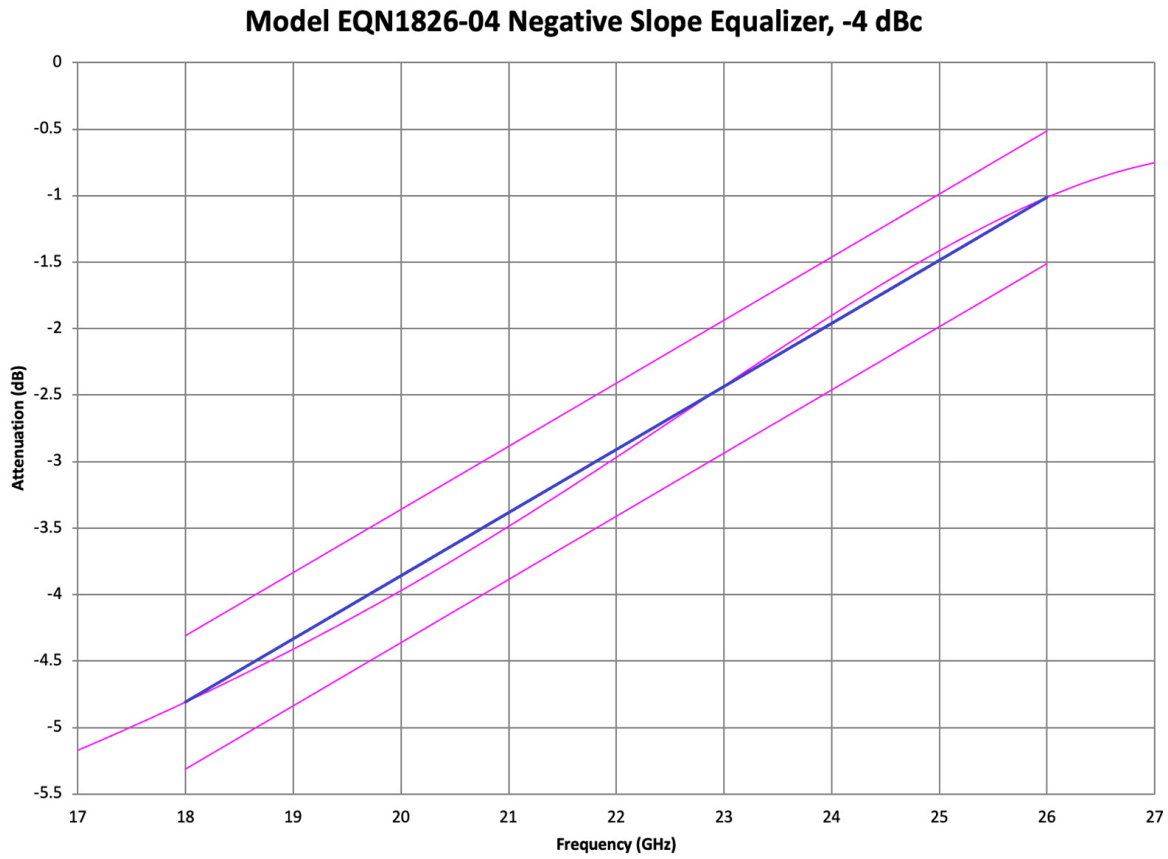
DISCLAIMER: Subject to change without notice.
Rev(B) 09/12/19

EQN1826-04 Negative Slope Equalizer

18.0 to 26.5 GHz



Test Data



DISCLAIMER: Subject to change without notice.
Rev(B) 09/12/19