

# EQN0812-06 Negative Slope Equalizer

8.0 to 12.0 GHz



## Technical Characteristics

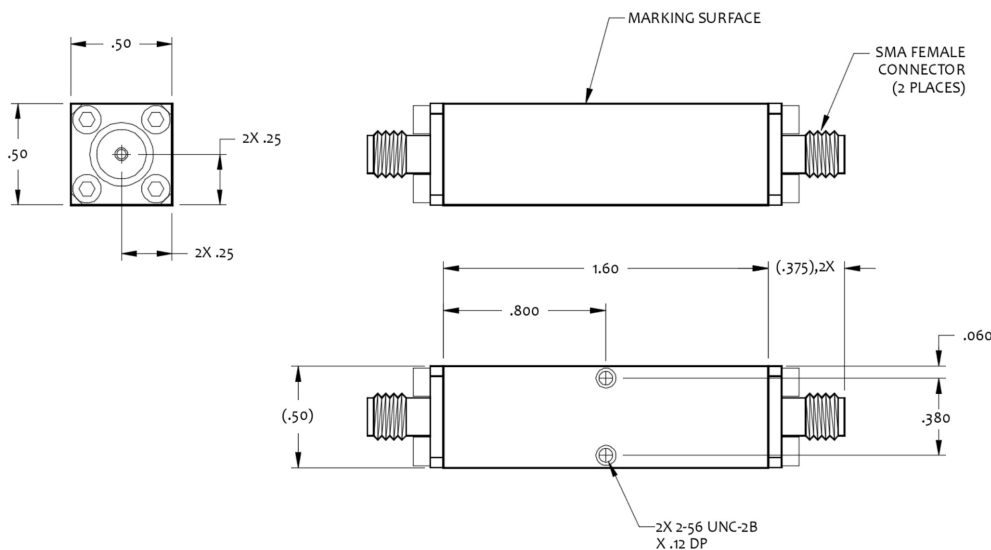
Product Features
Fixed or adjustable attenuation tuning
Low insertion loss
SMA connector standard
Impedance 50 or 75 ohms
Compact size
Meets MIL-E-5400 and MIL-E-16400 environmental requirements

Maximum Ratings	
Max. Input Power	250mW
Operating Temperature	-55 to +95°C
Storage Temperature	-65 to +125°C
Specifications @	25°C

Maximum Ratings	
ECCN: EAR 99 (Unless otherwise specified)	
HTS: 8543.7080.00	

Parameters	Freq. (GHz)	Minimum	Typical	Maximum	Units	Conditions
Attenuation	8.0 to 12.0		6.0		dB	
Insertion Loss	12		1.3		dB	
VSWR	8.0 to 12.0		1.8:1			
Linearity	8.0 to 12.0		+/-0.5		dB	
Max. Input Power	8.0 to 12.0			250	mW	

## Package Outline:



DISCLAIMER: Subject to change without notice.

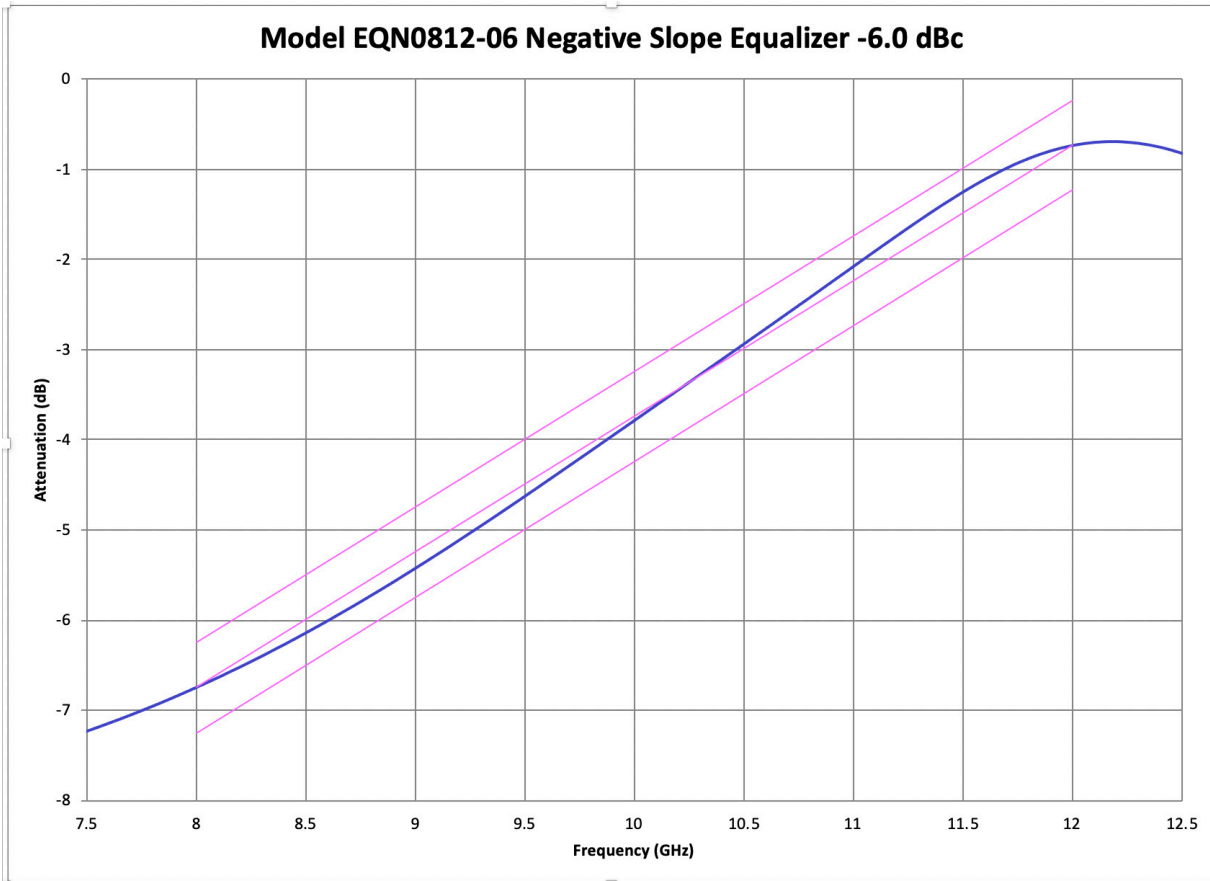
Product Export Classification  
 ECCN: EAR 99 (unless otherwise specified)  
 HTS: 8534.0090.00

# EQN0812-06 Negative Slope Equalizer

8.0 to 12.0 GHz



## Test Data



DISCLAIMER: Subject to change without notice.